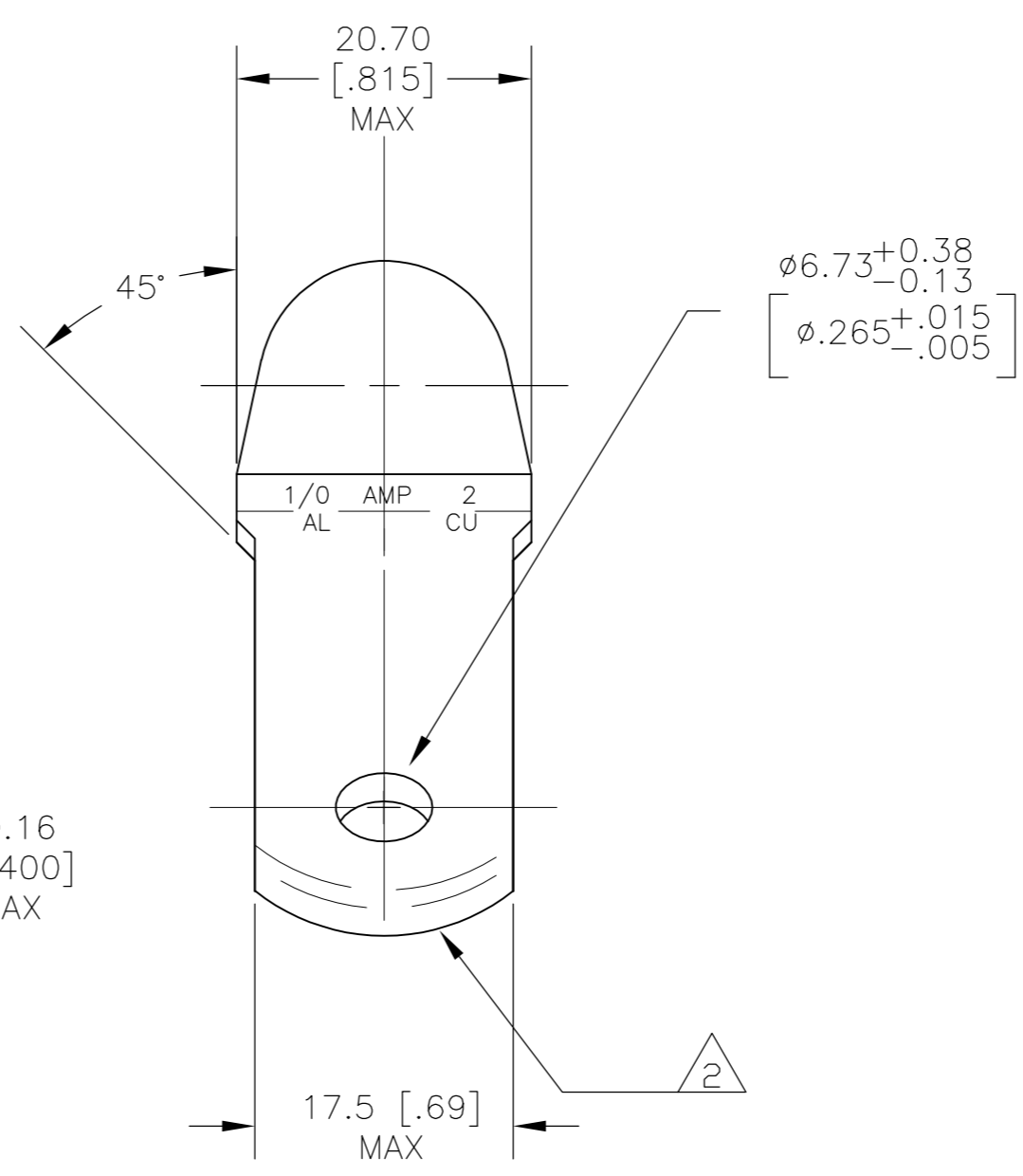
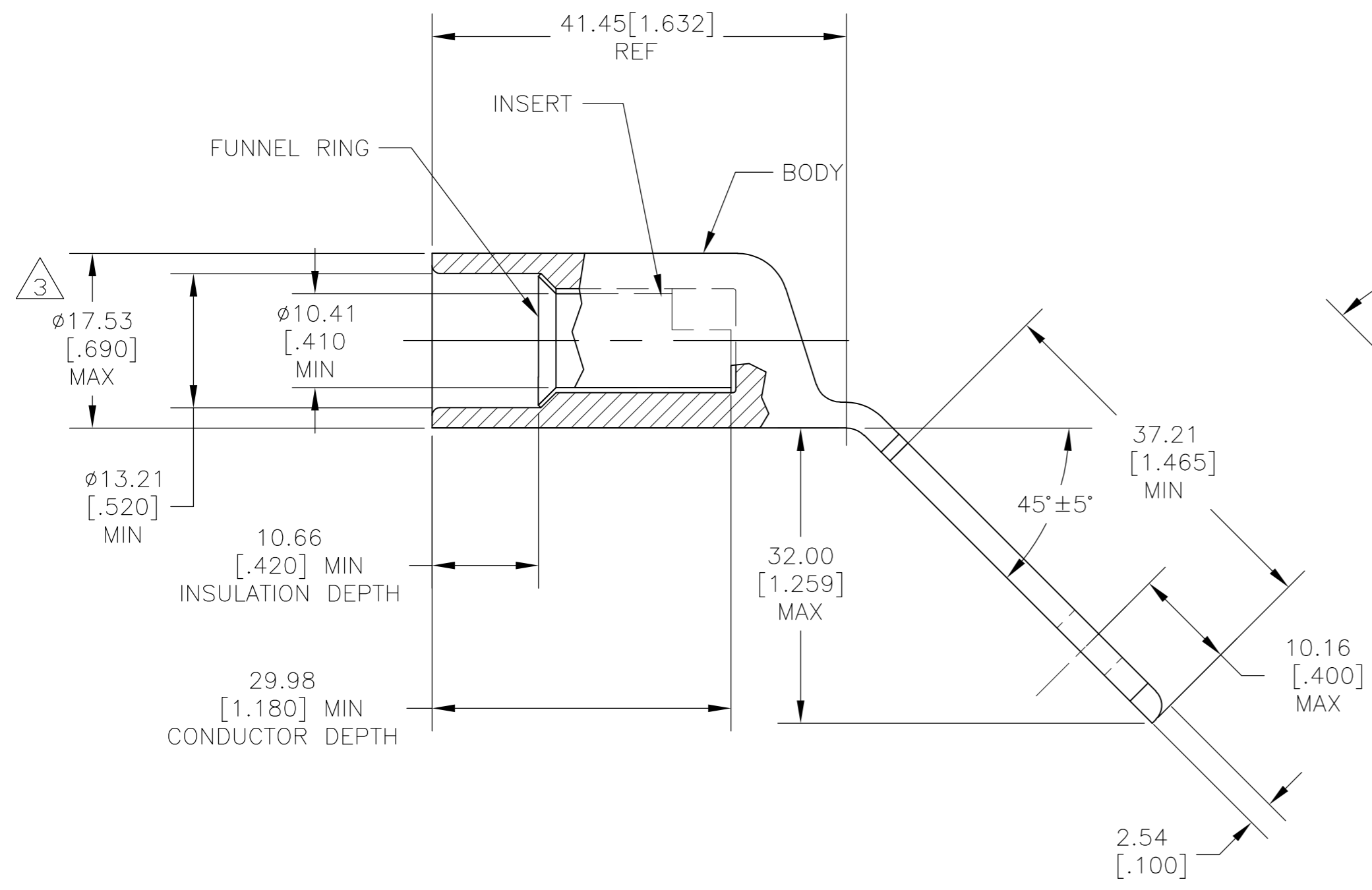


THIS DRAWING IS UNPUBLISHED. RELEASED FOR PUBLICATION
 © COPYRIGHT - By - ALL RIGHTS RESERVED.

LOC		DIST		REVISIONS			
P	LTR	DESCRIPTION	DATE	DWN	APVD		
	B	REV PER ECO 14-002303	3-3-14	CT	PD		



- 1 WIRE INSULATION: 10.79-11.94 [.425-.470] DIA
- 2 THE TONGUE RADIUS FEATURE IS NOT A TOOLING CONTROLLED DIMENSION AND MAY NOT BE A TRUE RADIUS.
- 3 FLASH PERMITTED ±.020

BODY: COPPER ASTM-B187 ANNEALED TIN PL PER ASTM B-545 .000150 MIN THK INSERT & FUNNEL: BRASS PER ASTM B36 NICKEL PLATE SAE AMS QQ-N-290A, DATED JULY 2000, 0.00254 [.000100] MIN THK	1958195-1
MATERIAL & FINISH	PART NO.

THIS DRAWING IS A CONTROLLED DOCUMENT.		DWN	jr ruth	12MAR08	TE Connectivity
DIMENSIONS: INCHES		CHK	RAY LANDON	12MAR08	
TOLERANCES UNLESS OTHERWISE SPECIFIED:		APVD	RAY LANDON	12MAR08	
0 PLC ± - 1 PLC ± - 2 PLC ± 0.51[.020] 3 PLC ± - 4 PLC ± - ANGLES ± -		NAME	RAY LANDON		
MATERIAL SEE TABLE		FINISH	SEE TABLE		PRODUCT SPEC APPLICATION SPEC WEIGHT -
		CUSTOMER DRAWING			SIZE A2 CAGE CODE 00779 DRAWING NO. C=1958195 RESTRICTED TO -
		SCALE 2:1			SHEET 1 of 1 REV B

1958195